

Tigex I & II



Product features

Tigex I & II offers reliable and flexible usage for precise welding with the highest safety standards and durability.

- **Precise flow reading:** Specifically designed for tasks requiring accurate flow reading for precision and quality in the welding process.
- **Individually adjustable flow meters:** Single or dual individually adjustable flow meters for customized control over gas flow.
- **Versatile use:** Tigex II can support two welding machine or be used to support back purging for increased flexibility.
- **Built-in safety valve:** Built-in safety valve to ensure highest safety standards for user protection.
- **Robust construction:** Flow meter tubes are made of crack-resistant safety glass for increased durability and safety.

Technical data

| | |
|-------------------|--------------------|
| Type | 1-stage / cylinder |
| Regulator class | 10 |
| Standard | ISO 2503 |
| Gas | Ar/mix / Formier |
| Temperature range | -20°C up to +60°C |

Pressure / Flow

| | |
|--------------------------------|-------------------|
| Inlet pressure P ₁ | 200 bar |
| Outlet pressure P ₂ | 5 bar |
| Qn* | 0-20L / 0-34L/min |

Materials:

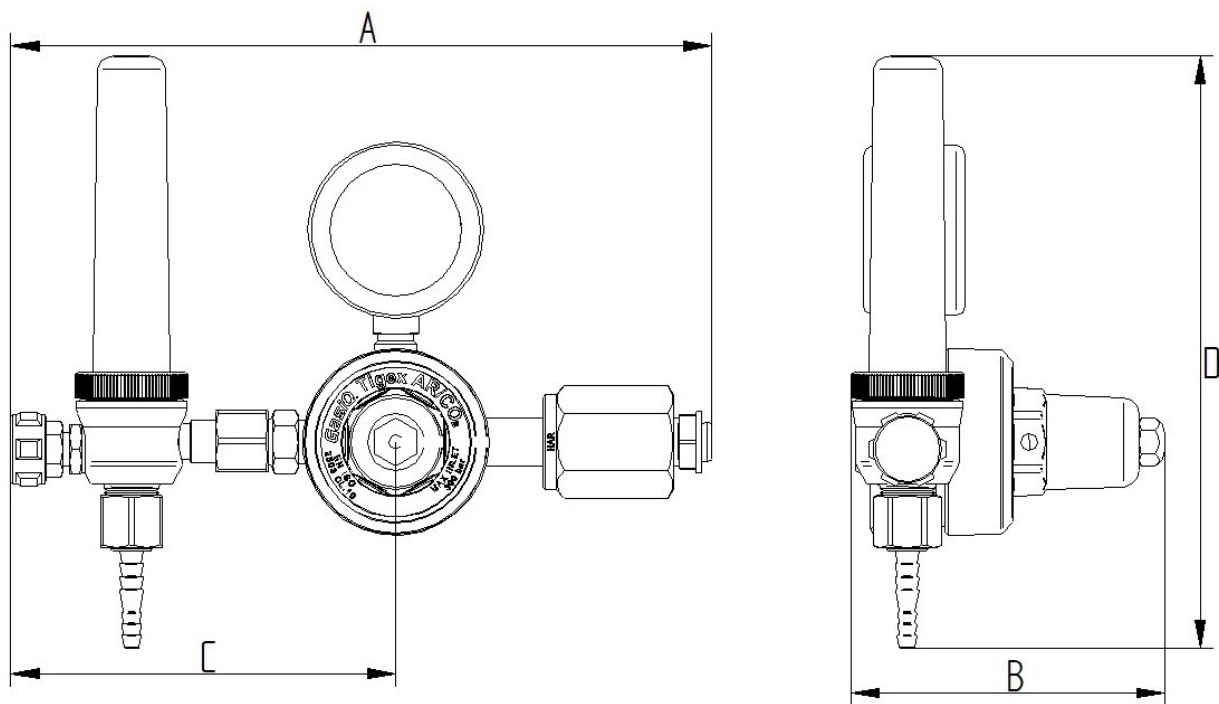
| | |
|------------|-------------------|
| Body | CW 614N |
| Valve seat | Kel-F |
| Diaphragm | Neoprene, NN 0060 |
| Flow tube | Grilamid TR90° |

Connections:

| | |
|--------|------------|
| Inlet | See page 2 |
| Outlet | See page 2 |

*also available as psi and SCFH

Dimensions



| Tigex I | | | | | |
|-----------------|-------------|-------|------|-------|-------|
| Inlet | Outlet | A | B | C | D |
| G3/4" F | G3/8" | 216mm | 97mm | 119mm | 189mm |
| G5/8" Bull M | G3/8" | 242mm | 97mm | 119mm | 189mm |
| W21.8" F | G3/8" | 216mm | 97mm | 119mm | 189mm |
| W21.8" F | G1/4" | 216mm | 97mm | 119mm | 189mm |
| W21.8" L F | G3/8" L | 216mm | 97mm | 119mm | 189mm |
| W24.32" F | G3/8" | 216mm | 97mm | 119mm | 189mm |
| W24.52" CGA-580 | 5/8-18" UNF | 238mm | 97mm | 119mm | 210mm |

| Tigex II | | | | | |
|--------------|---------|-------|-------|------|-------|
| Inlet | Outlet | A | B | C | D |
| W21.8" F | G3/8" | 194mm | 144mm | 97mm | 189mm |
| W21.8" L F | G3/8" L | 194mm | 144mm | 97mm | 189mm |
| W21.8" F | G1/4" | 194mm | 144mm | 97mm | 189mm |
| W24.32" F | G3/8" | 194mm | 144mm | 97mm | 189mm |
| G3/4" F | G3/8" | 194mm | 144mm | 97mm | 189mm |
| G5/8" Bull M | 3/8" | 222mm | 144mm | 97mm | 189mm |